

# LIFIN dirt strainers



**Distributor:**

**[www.planmix.fi](http://www.planmix.fi)**

**Planmix Oy**

## LIFIN STRAINER

Dirt strainers are intended for mechanical cleaning of the water in District Heating (CHP) and Heat Transfer piping systems to provide safety for heat exchangers, pumps, valves and other equipment and armatures. Installation of dirt strainers is easy to be made by welding. Installation is possible to be made both in horizontal or vertical way. The holes of the stainless steel filters are 0,6mm in dimensions DN 25-40 and 1,0mm in dimension DN50, and 1,2mm in dimensions DN 65-200. Other size of filter holes after request. All high quality, CE-marked Lifin Dirt Strainers are pressure tested with water using a pressure of 1,5 x PN.

### MATERIAL SPECIFICATION

1	Elbow DN15-65	St 37.0	5	Plug sealing	Copper
	Elbow DN80-150	St 37.0			
2	Body	St 35.8	6	Flange	Steel
3	Filter	AISI 304	7	Flange sealing	FPM or VMQ
4	Plug	Steel			

### DIMENSIONS

OPERATING TEMPERATURE AREA  
PRESSURE CLASS

DN 25 – 200	
0 – 180 C	
DN 15-50	PN 40
DN 65 – 100	PN 25
DN 125-200	PN 16

LIFIN NO	DN	PN	L	∅ds x ls	∅D x s	∅Dd	WEIGHT (kg)	Kv (m <sup>3</sup> /h)	O-ring inside dimension mm	O-ring thickness mm
100025	25	40	160	36x119	33,7x2,6	106	2,85	22,57	65,0	3,5
100032	32	40	180	45x119	42,4x2,6	106	2,90	32,68	65,0	3,5
100040	40	40	200	50x119	48,3x2,6	106	3,00	37,59	65,0	3,5
100050	50	40	230	63x134	60,3x2,9	106	3,60	99,51	65,0	3,5
100065	65	25	290	78x164	76,1x2,9	124	6,00	133,05	83,0	3,5
100080	80	25	310	93x172	88,9x3,2	138	7,60	160,10	98,0	3,5
100100	100	25	350	120x221	114,3x3,6	180	11,00	458,88	130,0	5,0
100125	125	16	510	148x307	139,7x4,0	235	42,00	740,00		
100150	150	16	565	175x293	168,3x4,5	235	45,00	1100,00		
100200	200	16	750	226x449	219,1x6,3	460	75,00	2000,00		

Strainer - nuts tightening torques :

100025-100050

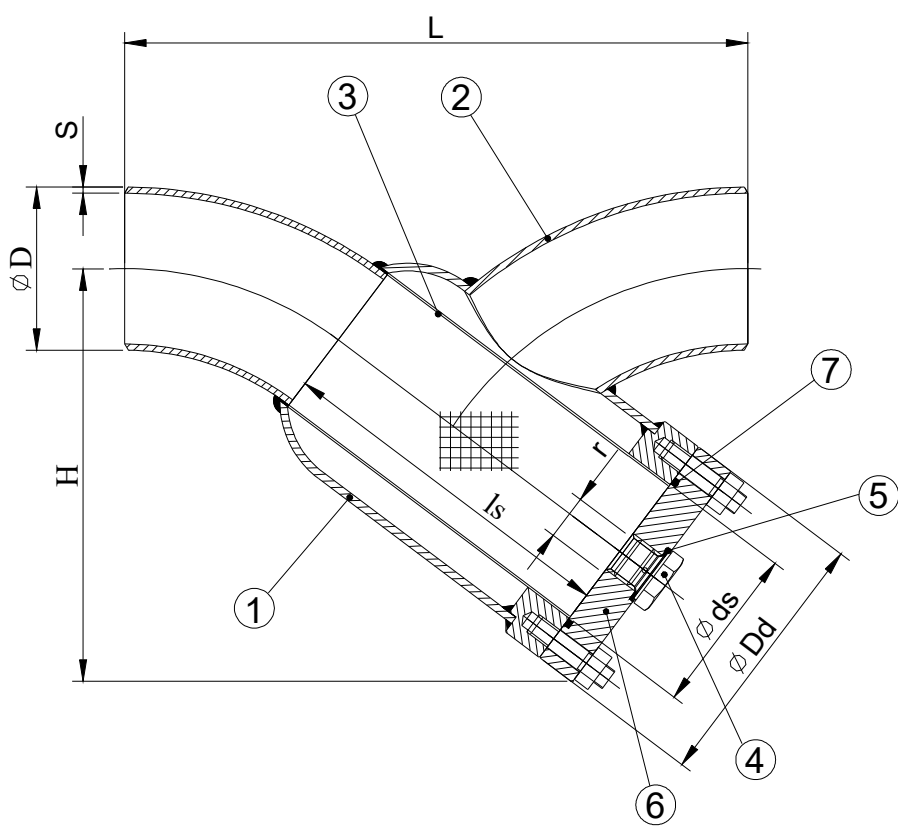
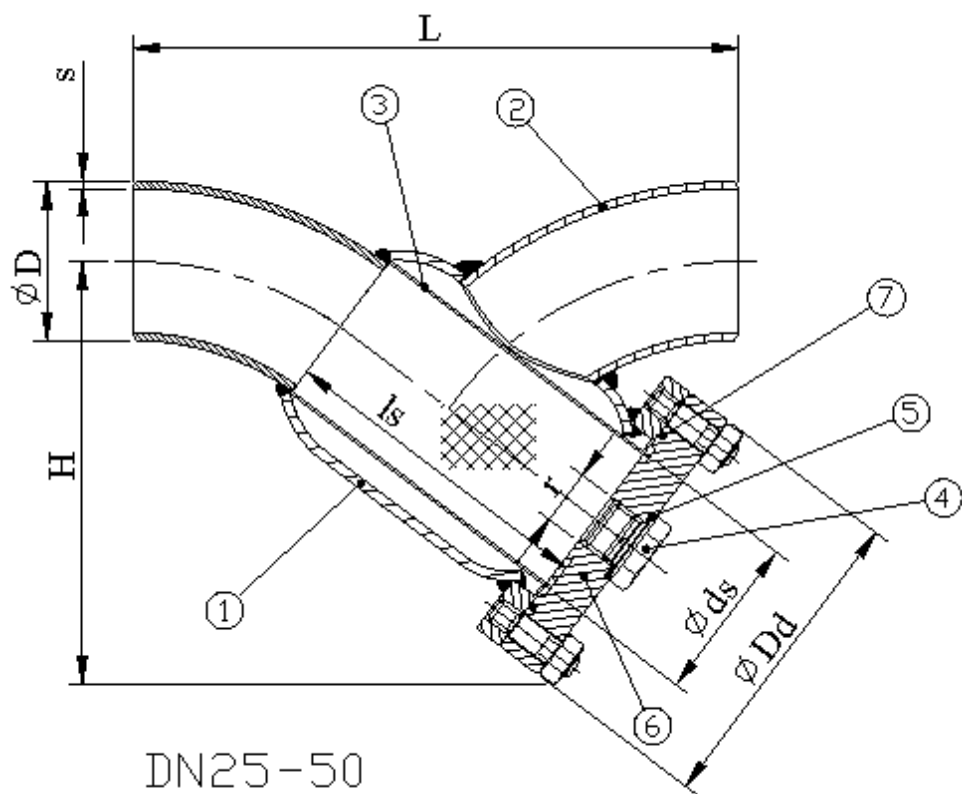
Nut M10

tightening torque ~7Nm

100065-100150

Nut M12

tightening torque 10-11Nm



DN 65 - 200

**SALES OFFICE :**

Planmix OY  
Äestäjänkatu 30, 15610 Lahti, FINLAND  
Mob : +358 40 7353426  
Email : [planmix@planmix.fi](mailto:planmix@planmix.fi)  
**[www.planmix.fi](http://www.planmix.fi)**

The logo for Planmix Oy is a red, rounded rectangular shape with a white border. Inside the shape, the text "Planmix Oy" is written in a white, sans-serif font.

**MANUFACTURER :**

UAB Lifinata  
Pramones str. 12 A-303  
LT 78150, Siauliai, LITHUANIA  
Email : [lifin@lifin.lt](mailto:lifin@lifin.lt)  
**[www.lifin.lt](http://www.lifin.lt)**

The logo for lifinata is the word "lifinata" in a dark blue, lowercase, sans-serif font. The letter "i" has a small red triangle above it.