

Lifair – AIR eliminators

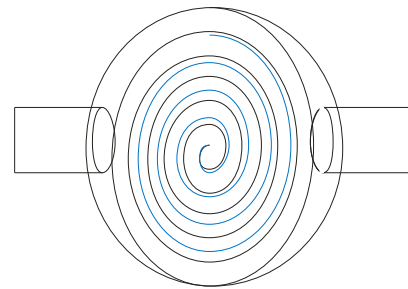
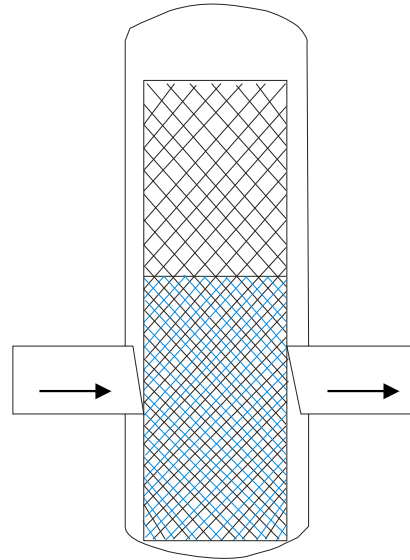
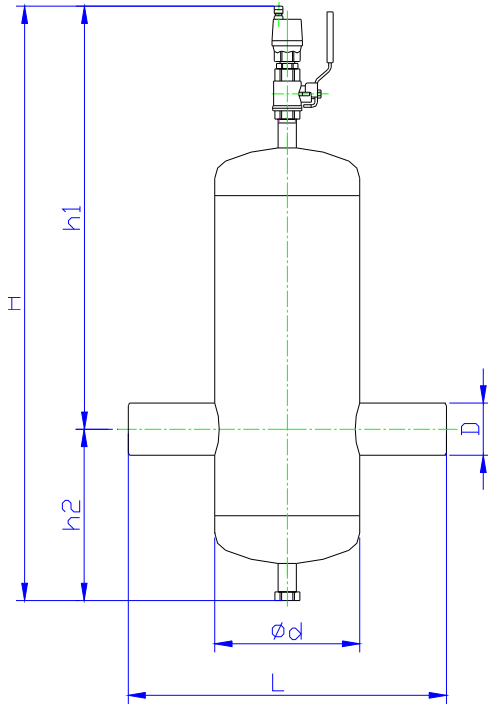


Distributor:

www.planmix.fi

Planmix Oy

Lifair 20xxxx

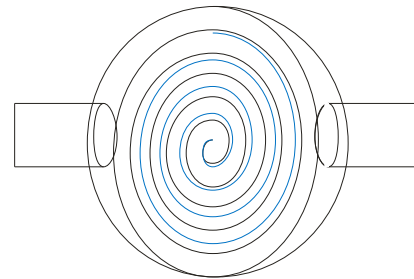
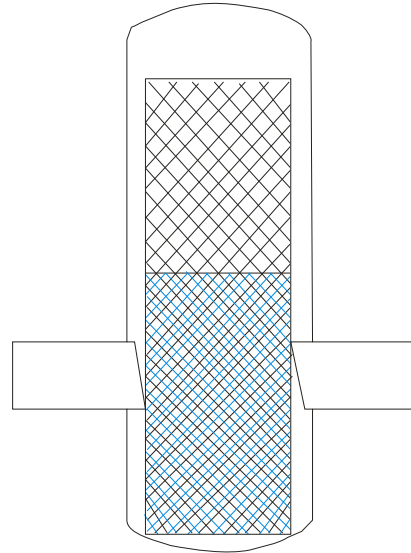
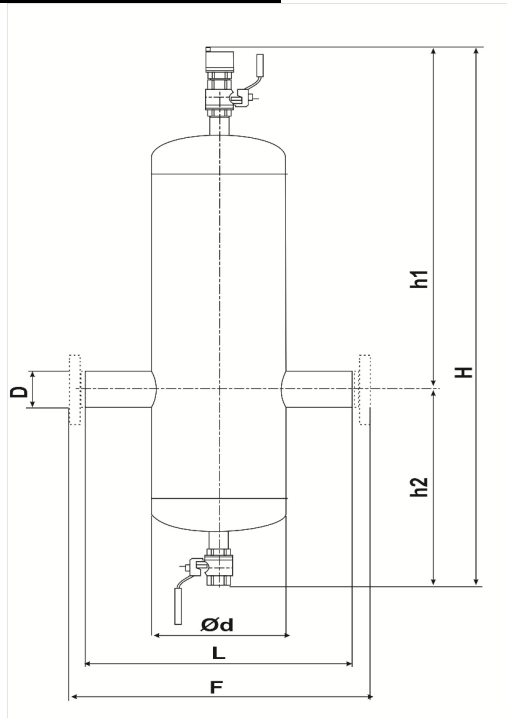


DIMENSIONS
 OPERATING TEMPERATURE AREA
 PRESURE CLASS
 TEST PRESSURE
 FILTER
 BODY
 WELDING
 SEALING

DN25-250
 0-120°C
 PN10
 PN16
 AISI 304
 St35.8 or St37.0
 St35.8 or St37.0
 COPPER

DN	25	32	40	50	65	80	100	125	150	200	250
Type W	200025	200032	200040	200050	200065	200080	200100	200125	200150	200200	200250
Type F	201025	201032	201040	201050	201065	201080	201100	201125	201150	201200	201250
D(mm)	33,7x2,6	42,4x2,6	48,3x2,6	60,3x2,9	76,1x2,9	88,9x3,2	114,3x3,6	139x4	168,3x4,5	219,1x6,3	273x6,3
H	562	562	562	704	704	734	734	900	900	1300	1300
Ød	114,3	114,3	114,3	168,3	168,3	219,1	219,1	324	324	324	508
L	315	315	315	369	369	417	417	500	500	500	750
F	395	395	395	459	459	517	517	610	610	610	850
h1	232	232	232	360	360	376	376	550	550	900	900
h2	180	180	180	194	194	208	208	300	300	350	350
weight kg W	5	5	5	14,5	14,5	25,0	25,0	45	46	60	170
weight kg F	7	8	8	20	21	32	34	57	61	82	200
Volume L	3,2	3,2	3,3	8,9	9,0	19,0	19,2	65	65	80	200

Lifair 21xxxx



DIMENSIONS

OPERATING TEMPERATURE AREA

PRESURE CLASS

TEST PRESSURE

FILTER

BODY

WELDING

SEALING

AIR VENTIL

DN25-200

0-120°C

PN10

PN16

AISI 304

P235 TR1/St37.0

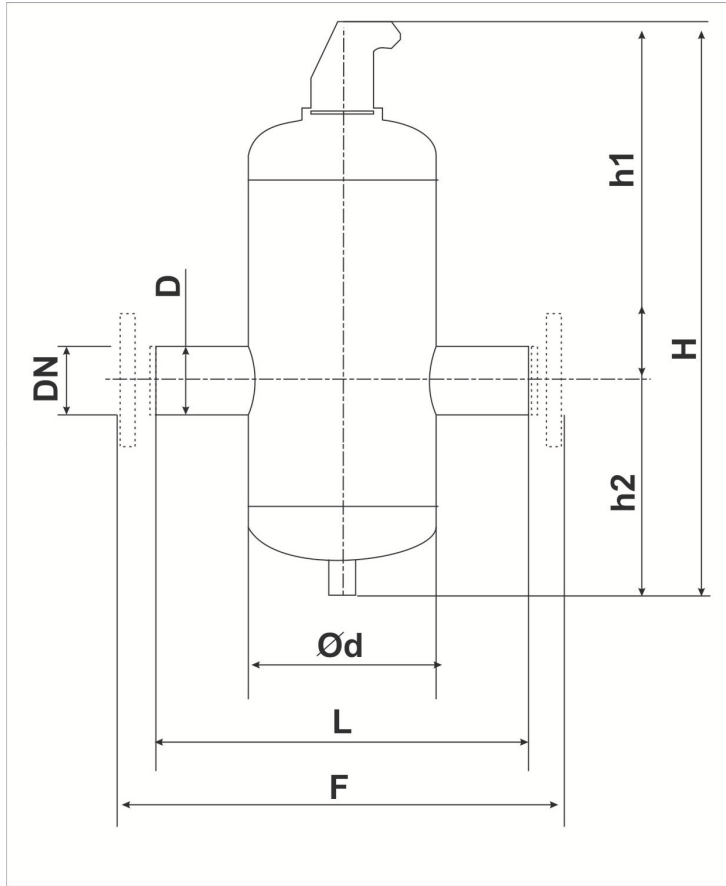
P235 TR1/St37.0

COPPER

Flexvent ½ (Flamco)

DN	25	32	40	50	65	80	100	125	150	200
Type W	210 025	210 032	210 040	210 050	210 065	210 080	210 100	210125	210150	210200
Type F	211 025	211 032	211 040	211 050	211 065	211 080	211 100	211125	211150	211200
D(mm)	33,7x2,6	42,4x2,6	48,3x2,6	60,3x2,9	76,1x2,9	88,9x3,2	114,3x3,6	139,7x4,0	168,3x4,5	219,1x4,5
H	562	562	562	704	704	734	734	1030	1030	1330
Ød	114,3	114,3	114,3	168,3	168,3	219,1	219,1	323,9	323,9	323,9
L	315	315	315	369	369	417	417	500	500	500
F	395	395	395	459	459	517	517	610	610	610
h1	332	332	332	460	460	476	476	690	690	950
h2	230	230	230	244	244	258	258	340	340	380
weight kg W	5,0	5,0	5,0	14,5	14,5	25,0	25,0	45	46	60
weight kg F	7	8	8	20	21	32	34	57	61	82
Volume L	3,2	3,2	3,3	8,9	9,0	19,0	19,2	65	66	85

Lifair 22xxxx

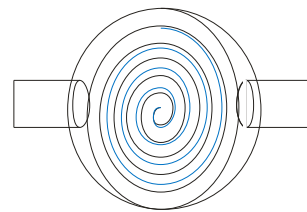
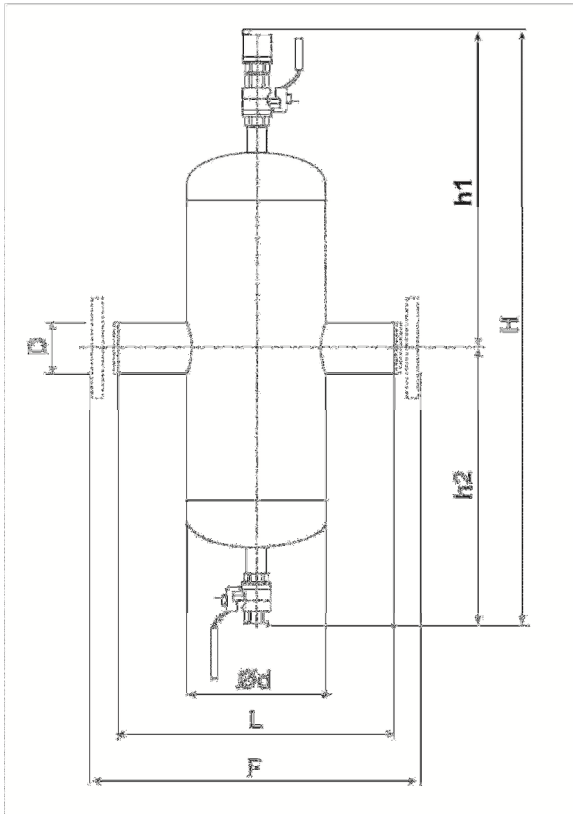


LIFAIR air Top

DIMENSIONS	DN25-300
OPERATING TEMPERATURE AREA	0-120°C
PRESURE CLASS	PN10
TEST PRESSURE	PN16
FILTER	AISI 304
BODY	St35.8 or St37.0
WELDING	St35.8 or St37.0
SEALING	COPPER
FLANGES	DIN2633

DN	25	32	40	50	65	80	100	125	150	200	250	300
Type W	220025	220032	220040	220050	220065	220080	220100	220125	220150	220200	220250	220300
Type F	221025	221032	221040	221050	221065	221080	221100	221125	221150	221200	221250	221300
D(mm)	33,7x2,6	42,4x2,6	48,3x2,6	60,3x2,9	76,1x2,9	88,9x3,2	114,3x3,6	139x4	168,3x4,5	219,1x4,5	273x5,0	324x5,6
H	512	512	512	654	654	684	684	850	850	1250	1250	1250
Ød	114,3	114,3	114,3	168,3	168,3	219,1	219,1	324	324	324	508	508
L	315	315	315	369	369	417	417	500	500	500	750	750
F	395	395	395	459	459	517	517	610	610	610	850	850
h1	232	232	232	360	360	376	376	550	550	900	900	900
h2	180	180	180	194	194	208	208	300	300	350	350	350
weight kgW	5	5	5	14,5	14,5	25	25	45	46	60	170	170
weight kg F	7	8	8	20	21	32	34	57	61	82	200	215
Volume L	3,2	3,2	3,3	8,9	9	19	19,2	65	65	80	200	200

Lifair 23xxxx



LIFAIR Trap air/dirt

DIMENSIONS

OPERATING TEMPERATURE AREA

PRESURE CLASS

TEST PRESSURE

FILTER

BODY

WELDING

SEALING

DN25-250

TypeW-welding

0-120°C

TypeF-flange DIN2633

PN10

PN16

AISI 304

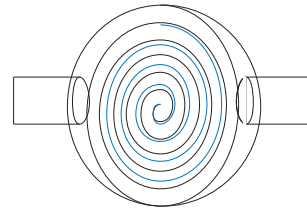
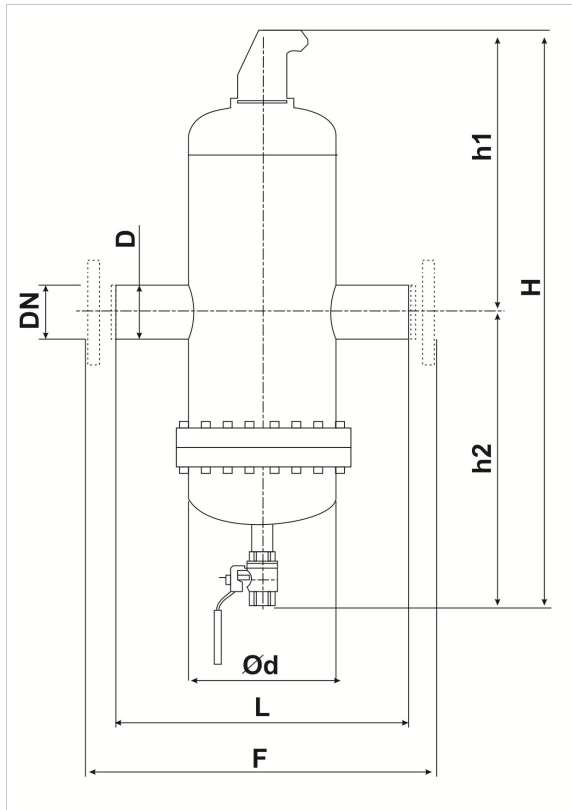
St35.8 or St37.0

St35.8 or St37.0

COPPER

DN	25	32	40	50	65	80	100	125	150	200	250
Type W	230025	230032	230040	230050	230065	230080	230100	230125	230150	230200	230250
Type F	231025	231032	231040	231050	231065	231080	231100	231125	231150	231200	231250
D(mm)	33,7x2,6	42,4x2,6	48,3x2,6	60,3x2,9	76,1x2,9	88,9x3,2	114,3x3,6	139x4	168,3x4,5	219,1x6,3	273x6
H	806	806	806	966	966	996	996	1190	1190	1300	1760
∅d	114,3	114,3	114,3	168,3	168,3	219,1	219,1	324	324	508	508
L	315	315	315	369	369	417	417	500	500	750	750
F	395	395	395	459	459	517	521	610	610	820	850
h1	332	332	332	460	460	476	476	516	516	550	800
h2	424	424	424	456	456	470	470	625	625	700	900
Weight kg W	10	10	10	18	18	31	31	80	80	170	230
Weight kg F	12	13	13	23	24	38	40	92	95	192	260
Volume L	4	4	4	12	12	26	26	80	80	200	300

Lifair 24xxxx



LIFAIR Trap air/dirt with a flanged bottom cup

DIMENSIONS

OPERATING TEMPERATURE AREA

PRESURE CLASS

TEST PRESSURE

FILTER

BODY

WELDING

SEALING

DN25-250

TypeW-welding

0-120°C

TypeF-flange DIN2633

PN10

PN16

AISI 304

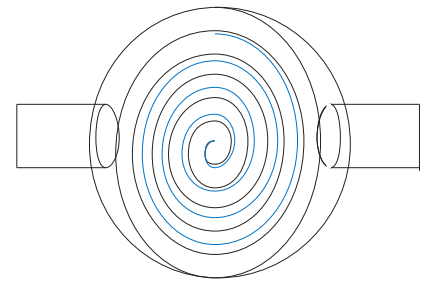
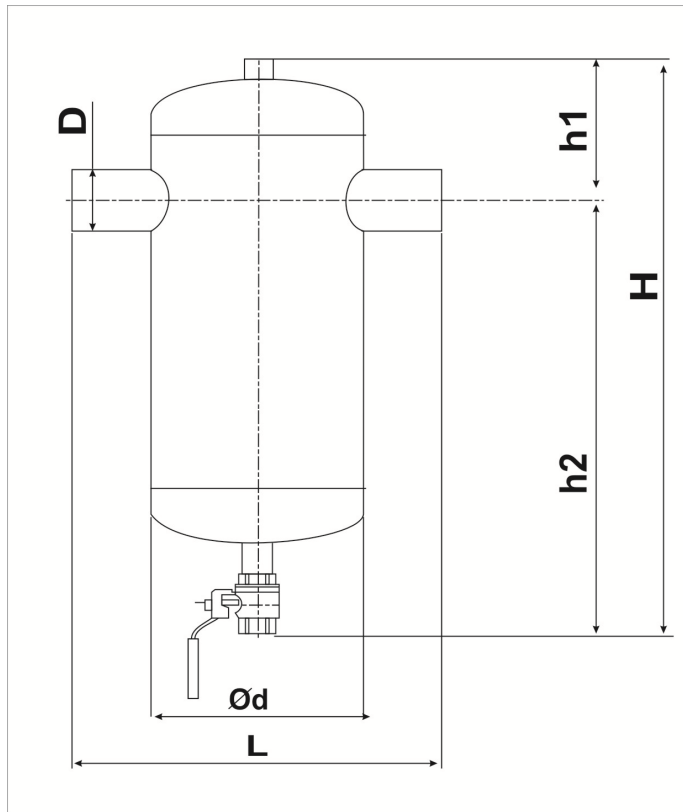
St35.8 or St37.0

St35.8 or St37.0

COPPER

DN	25	32	40	50	65	80	100	125	150	200	250
Type W	240025	240032	240040	240050	240065	240080	240100	240125	240150	240200	240250
Type F	241025	241032	241040	241050	241065	241080	241100	241125	241150	241200	241250
D(mm)	33,7x2,6	42,4x2,6	48,3x2,6	60,3x2,9	76,1x2,9	88,9x3,2	114,3x3,6	139x4	168,3x4,5	219,1x6,3	273x6,3
H	756	756	756	916	916	946	946	1140	1140	1250	1700
Ød	114,3	114,3	114,3	168,3	168,3	219,1	219,1	324	324	508	508
L	315	315	315	369	369	417	417	500	500	750	750
F	395	395	395	459	459	517	521	610	610	820	850
h1	332	332	332	460	460	476	476	516	516	550	800
h2	424	424	424	456	456	470	470	625	625	700	900
weight kg W	18	18	18	32	32	53	53	125	125	290	350
weight kg F	20	21	21	37	38	60	62	137	140	312	395
Volume L	3,2	3,2	3,3	8,9	9,0	19,0	19,2	65	65	200	300

Lifair 25xxxx



LIFAIR Trap dirt

DIMENSIONS

OPERATING TEMPERATURE AREA

PRESURE CLASS

FILTER

BODY

WELDING

SEALING

DN25-300

0-120°C

PN16

AISI 304

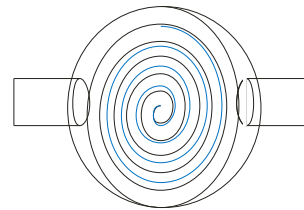
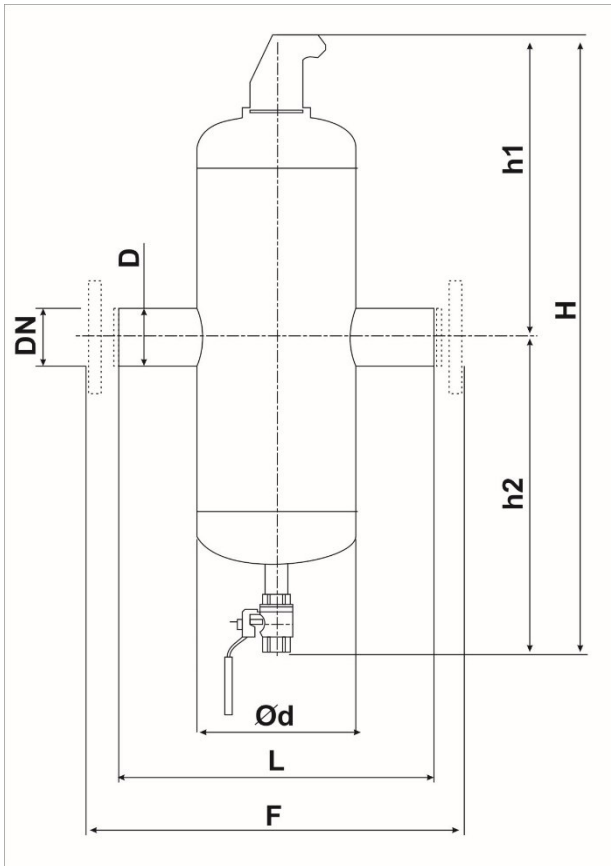
St35.8 or St37.0

St35.8 or St37.0

COPPER

DN	25	32	40	50	65	80	100	125	150	200	250	300
Type W	250025	250032	250040	250050	250065	250080	250100	250125	250150	250200	250250	250300
Type F	251025	251032	251040	251050	251065	251080	251100	251125	251150	251200	251250	251300
D(mm)	33,7x2,6	42,4x2,6	48,3x2,6	60,3x2,9	76,1x2,9	88,9x3,2	114,3x3,6	139x4	168,3x4,5	219,1x4,5	273x5,0	324x5,6
H	412	412	412	554	554	584	584	750	750	1200	1200	1200
Ød	114,3	114,3	114,3	168,3	168,3	219,1	219,1	324	324	324	508	508
L	315	315	315	369	369	417	417	500	500	500	750	750
F	395	395	395	459	459	517	517	610	610	610	850	850
h1	180	180	180	194	194	208	208	300	300	350	350	350
h2	232	232	232	360	360	376	376	450	450	650	850	850
Weight kg	5	5	5	14,5	14,5	25,0	25,0	45	46	60	170	170
weight kg F	7	8	8	20	21	32	34	57	61	82	200	215
Volume L	3,2	3,2	3,3	8,9	9,0	19,0	19,2	65	65	80	200	200

Lifair 26xxxx



LIFAIR Trap air/dirt

DIMENSIONS

OPERATING TEMPERATURE AREA

PRESURE CLASS

TEST PRESSURE

FILTER

BODY

WELDING

SEALING

DN25-300 TypeW-welding

0-120°C TypeF-flange DIN2633

PN10

PN16

AISI 304

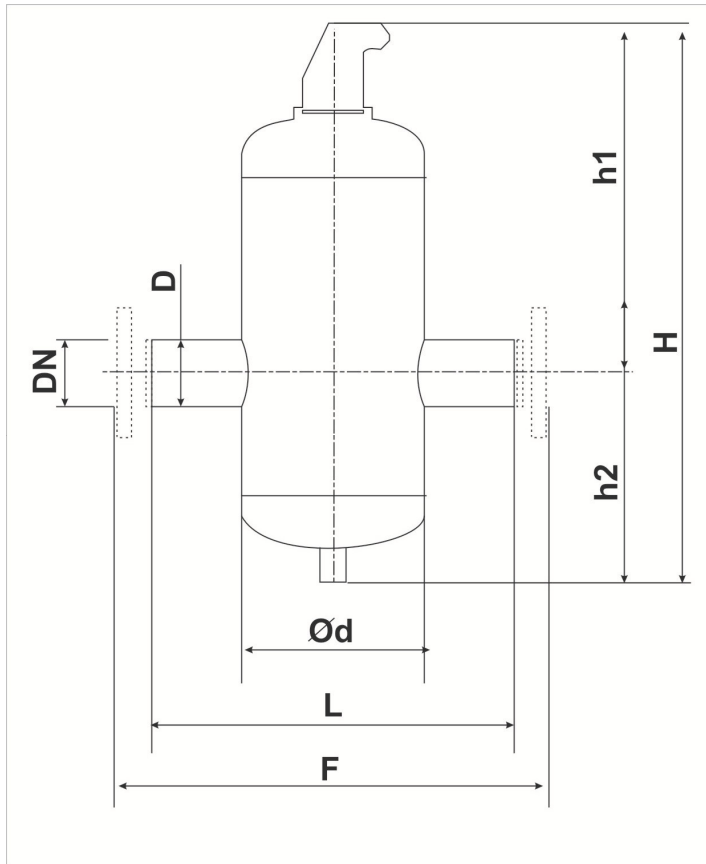
St35.8 or St37.0

St35.8 or St37.0

COPPER

DN	25	32	40	50	65	80	100	125	150	200	250	300	300/10
TypeW	260025	260032	260040	260050	260065	260080	260100	260125	260150	260200	260250	260300	26030010
Type F	261025	261032	261040	261050	261065	261080	261100	261125	261150	261200	261250	261300	26130010
D(mm)	33,7x2,6	42,4x2,6	48,3x2,6	60,3x2,9	76,1x2,9	88,9x3,2	114,3x3,6	139x4	168,3x4,5	219,1x6,3	273x6,3	323,9x7,1	323,9x7,1
H	756	756	756	916	916	946	946	1140	1140	1250	1700	1700	2020
Ød	114,3	114,3	114,3	168,3	168,3	219,1	219,1	324	324	508	508	508	610
L	315	315	315	369	369	417	417	500	500	750	750	750	850
F	395	395	395	459	459	517	521	610	610	820	850	850	1005
h1	332	332	332	460	460	476	476	516	516	550	800	800	985
h2	424	424	424	456	456	470	470	625	625	700	900	900	1035
weight kg W	10	10	10	18	18	31	31	80	80	170	230	230	470
weight kg F	12	13	13	23	24	38	40	92	95	192	260	275	515
volume	4	4	4	12	12	26	26	80	80	200	300	300	500

Lifair 27xxxx



LIFAIR air HI-FLOW

DIMENSIONS

OPERATING TEMPERATURE AREA

PRESSURE CLASS

TEST PRESSURE

FILTER

BODY

WELDING

SEALING

FLANGES

DN25-300

0-120°C

PN10

PN16

AISI 304

St35.8 or St37.0

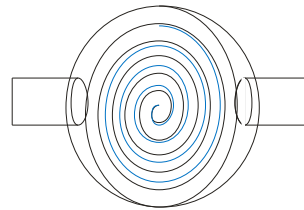
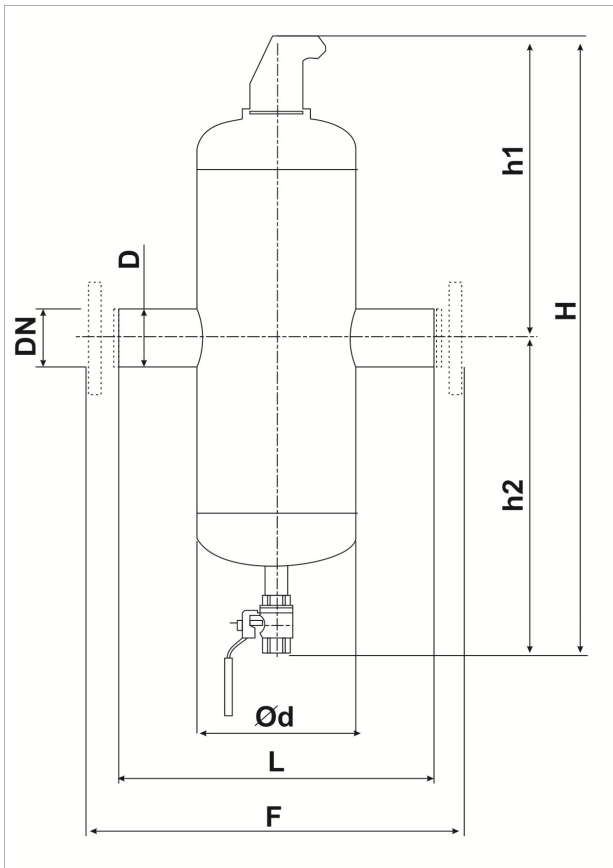
St35.8 or St37.0

COPPER

DIN2633

DN	25	32	40	50	65	80	100	125	150	200	250	300
Type W	270025	270032	270040	270050	270065	270080	270100	270125	270150	270200	270250	270300
Type F	271025	271032	271040	271050	271065	271080	271100	271125	271150	271200	271250	271300
D(mm)	33.7x2.6	42.4x2.6	48.3x2.6	60.3x2.9	76.1x2.9	88.9x3.2	114.3x3.6	139x4	168x4.5	219x4.5	273x5	324x5.6
H	756	756	756	916	916	946	946	1140	1140	1150	1700	2020
Ød	114.3	114.3	114.3	168.3	168.3	219	219	324	324	508	508	610
L	315	315	315	369	369	417	417	500	500	750	750	850
F	395	395	395	459	459	517	517	610	610	820	850	1005
h1	576	576	576	722	722	738	738	800	800	800	1350	1570
h2	180	180	180	194	194	208	208	340	340	350	350	450
Weight kg W	10	10	10	18	18	31	31	80	80	120	230	470
weight kg F	12	13	13	23	24	38	40	92	95	192	260	515
Volume L	4	4	4	11	11	26	26	80	80	120	300	500

Lifair 28xxxx



LIFAIR Trap air/dirt HI-FLOW

DIMENSIONS

OPERATING TEMPERATURE AREA

PRESURE CLASS

TEST PRESSURE

FILTER

BODY

WELDING

SEALING

DN25-300

TypeW-welding

0-120°C

TypeF-flange

DIN2633

PN10

PN16

AISI 304

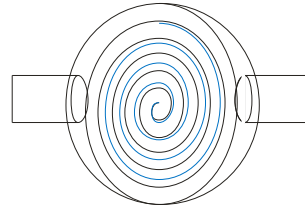
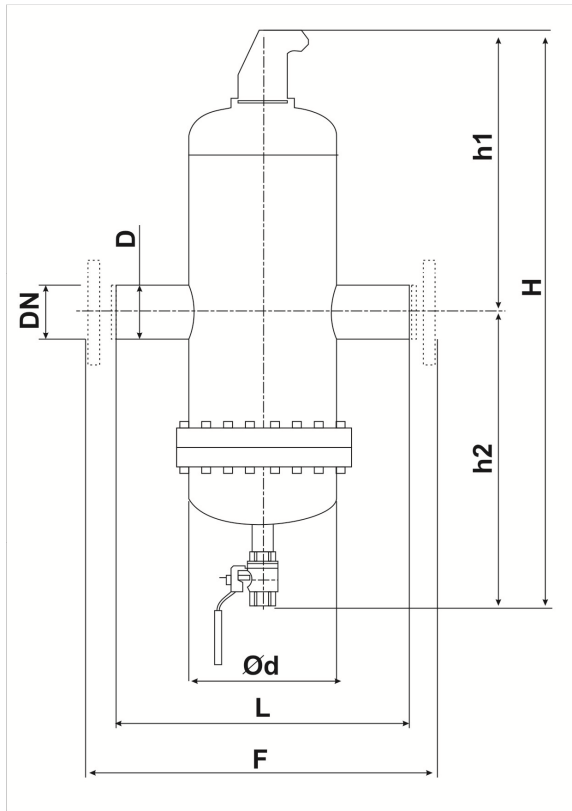
St35.8 or St37.0

St35.8 or St37.0

COPPER

DN	25	32	40	50	65	80	100	125	150	200	250	300
Type W	280025	280032	280040	280050	280065	280080	280100	280125	280150	280200	280250	280300
Type F	281025	281032	281040	281050	281065	281080	281100	281125	281150	281200	281250	281300
D(mm)	33.7x2.6	42.4x2.6	48.3x2.6	60.3x2.9	76.1x2.9	88.9x3.2	114.3x3.6	139x4	168x4.5	219x4,5	273x5	324x5,6
H	1000	1000	1000	1250	1250	1250	1250	1600	1600	1850	2500	3100
Ød	114.3	114.3	114.3	168.3	168.3	219	219	324	324	508	508	610
L	315	315	315	369	369	417	417	500	500	700	750	850
F	395	395	395	459	459	517	521	610	610	820	850	1000
h1	454	454	454	628	628	628	628	800	800	850	1200	1500
h2	546	546	546	622	622	622	622	800	800	1000	1300	1600
Weight kg W	13	13	13	24	24	37	37	100	100	200	260	620
Weight kg F	15	16	16	29	30	44	46	112	115	222	290	665
Volume L	6	6	6	15	15	40	40	115	115	300	450	760

Lifair 29xxxx



LIFAIR Trap air/dirt HI-FLOW with a flanged bottom cup

DIMENSIONS

OPERATING TEMPERATURE AREA

PRESSURE CLASS

TEST PRESSURE

FILTER

BODY

WELDING

SEALING

DN25-200

TypeW-welding

0-120°C

TypeF-flange DIN2633

PN10

PN16

AISI 304

St35.8 or St37.0

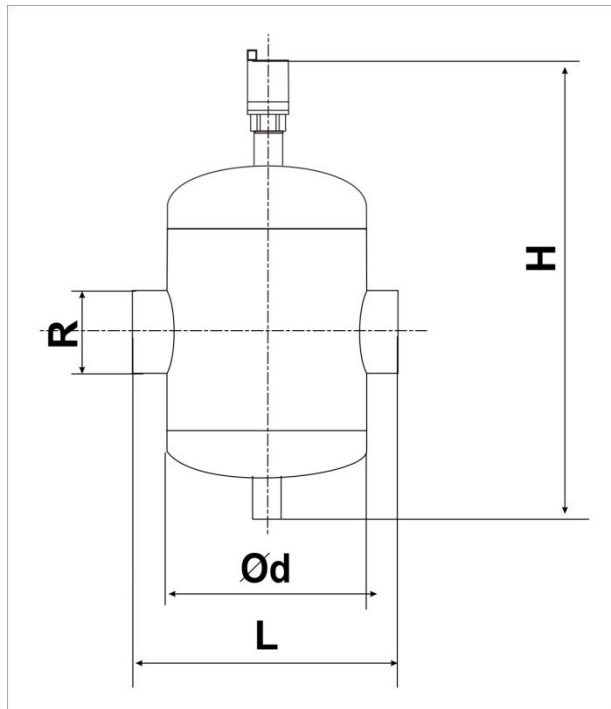
St35.8 or St37.0

COPPER

DN	25	32	40	50	65	80	100	125	150	200
Type W	290025	290032	290040	290050	290065	290080	290100	290125	290150	290200
Type F	291025	291032	291040	291050	291065	291080	291100	291125	291150	291200
D(mm)	33.7x2.6	42.4x2.6	48.3x2.6	60.3x2.9	76.1x2.9	88.9x3.2	114.3x3.6	139x4	168x4.5	219x6.3
H	1000	1000	1000	1250	1250	1250	1250	1600	1600	1850
Ød	114.3	114.3	114.3	168.3	168.3	219	219	324	324	508
L	315	315	315	369	369	417	417	500	500	700
F	395	395	395	459	459	517	521	610	610	820
h1	454	454	454	628	628	628	628	800	800	850
h2	546	546	546	622	622	622	622	800	800	1000
Weight kg W	20	20	20	36	36	58	58	135	135	330
Weight kg F	22	23	23	41	42	65	67	147	150	352
Volume L	6	6	6	15	15	40	40	115	115	230

Lifair 203xxx

Threaded STANDARD



LIFAIR air Standard

CONNECTION

DIMENSIONS

OPERATING TEMPERATURE AREA

PRESSURE CLASS

TEST PRESSURE

FILTER

BODY

WELDING

SEALING

INTERNAL THREAD

DN25-40

0-120°C

PN10

PN16

AISI 304

St35.8 or St37.0

St35.8 or St37.0

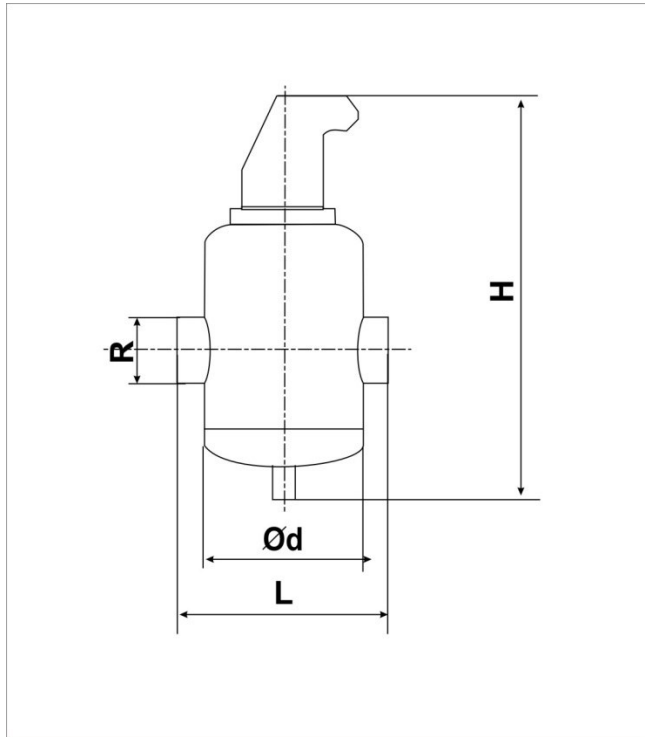
COPPER

DN	25	32	40
Type THR	203025	203032	203040
R	1"	1 ¼"	1 ½"
H	250	250	250
Ød	76,1	76,1	76,1
L	120	120	120
Weight kg	2.8	2.8	2.8
Volume L	0,8	0,8	0,8

PLANMIX OY planmix@planmix.fi

Lifair 223xxx

Threaded TOP



LIFAIR air Top

CONNECTION

DIMENSIONS

OPERATING TEMPERATURE AREA

PRESURE

TEST PRESSURE

FILTER

BODY

WELDING

SEALING

INTERNAL THREAD

DN25-40

0-120°C

PN10

PN16

AISI 304

St35.8 or St37.0

St35.8 or St37.0

COPPER

DN	25	32	40
Type THR	223025	223032	223040
R	1"	1 ¼"	1 ½"
H	250	250	250
Ød	76,1	76,1	76,1
L	120	120	120
Weight kg	3	3	3
Volume L	0,8	0,8	0,8

PLANMIX OY planmix@planmix.fi

SALES OFFICE :

Planmix OY
Äestäjänkatu 30, 15610 Lahti, FINLAND
Mob : +358 40 7353426
Email : planmix@planmix.fi
www.planmix.fi

The logo for Planmix Oy is a red, rounded rectangular shape with a white border. Inside the shape, the text "Planmix Oy" is written in a white, sans-serif font.

MANUFACTURER :

UAB Lifinata
Pramones str. 12 A-303
LT 78150, Siauliai, LITHUANIA
Email : lifin@lifin.lt
www.lifin.lt

The logo for lifinata is the word "lifinata" in a dark blue, lowercase, sans-serif font. The letter 'i' has a small red triangle above it.